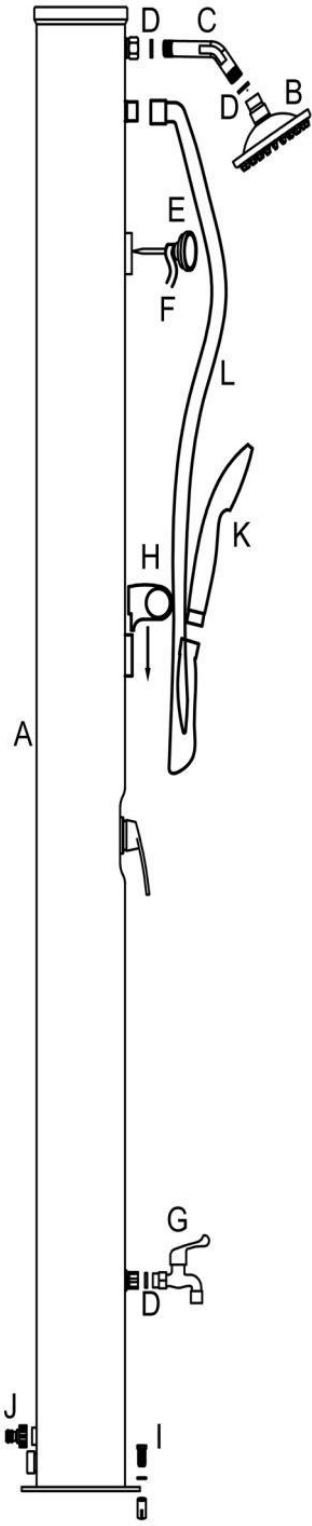





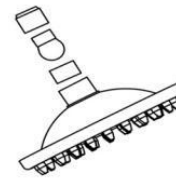


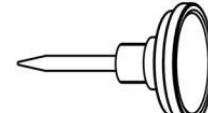

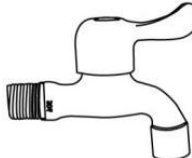





EN Installation and User Manual

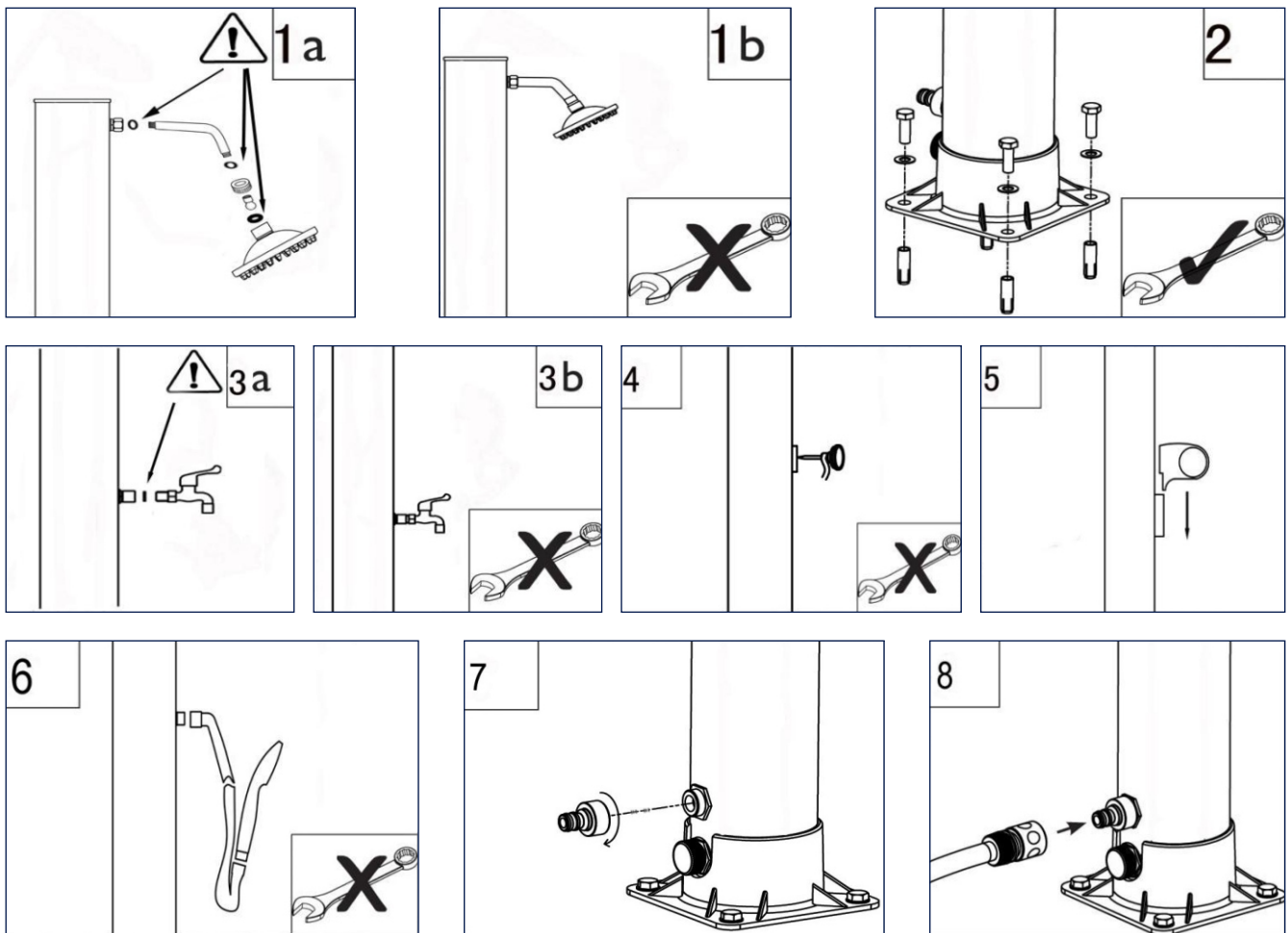
Important information: To prevent damage and improper use, please keep this installation and user manual readily accessible. Please read it carefully before installing or using the shower. Our information sheets and printed materials are provided for guidance based on our best knowledge. The content is provided without legal obligation. In all other respects, our General Terms and Conditions apply.

SOLAR SHOWER 40 L ALU-STYLE



Parts List

<p>A</p>  <p>1x</p>	<p>B</p>  <p>1x</p>	<p>C</p>  <p>1x</p>
<p>D</p>  <p>Ø 19 mm</p> <p>3x</p>	<p>E</p>  <p>1x</p>	<p>F</p>  <p>1x</p>
<p>G</p>  <p>1x</p>	<p>H</p>  <p>1x</p>	<p>I</p>  <p>4x</p>
<p>J</p>  <p>1x</p>	<p>K</p>  <p>1x</p>	<p>L</p>  <p>1x</p>



Installation instructions

Place your shower in a spot where it receives direct sunlight for as long as possible.

1. Connect the shower head to the shower hose.
2. Mount the shower base on a concrete slab or wooden base using four bolts, nuts, and washers.
3. Connect the foot shower to the main shower.
4. Wrap the threads of the thermometer with thread seal tape and then connect the thermometer to the shower.
5. Attach the hand shower holder to the shower by snapping it into place.
6. Connect the hand shower to the flexible hose, then connect the flexible hose to the shower.
7. Connect the hose adapter to the shower inlet.
8. Connect the garden hose to the hose adapter and the water supply.

First Use of the Shower

1. Turn the shower faucet to hot and open it fully.
NOTE: Turning the shower faucet fully on and to hot, ensures that no air remains in the shower tank during filling. This process is only necessary when using the shower for the first time.
2. Turn on the garden hose to fill the shower. It will take about six minutes to fill the shower completely.
3. As soon as water starts flowing from the shower head, turn off the shower faucet. The water in the shower tank will now start heating up.
4. Depending on the sunlight and outside temperature, it will take about three hours for the shower to fully heat up.
5. CAUTION: To avoid scalding, always turn the shower faucet to cold (blue) first before using the shower. Then adjust the water to the desired temperature.

Winter Storage

1. Turn off the garden hose and disconnect it from the shower.
2. Turn the shower faucet all the way on and to hot and allow the water to drain through the drainage opening (takes about eight minutes).
NOTE: Do not touch the faucet during this time as this may cause the water to stop draining.
3. Clean and dry the individual parts of the shower.
4. To prevent any frost damage, store the shower and the individual shower parts in a dry, frost-free room.

IMPORTANT:

1. NEVER USE SALT OR ANY OTHER ANTIFREEZE AGENTS IN THE SHOWER SYSTEM.
2. WATER PRESSURE: MAX 3.5 BAR.
3. TO AVOID SCALDING, ALWAYS TURN THE SHOWER FAUCET TO COLD FIRST BEFORE USING THE SHOWER.