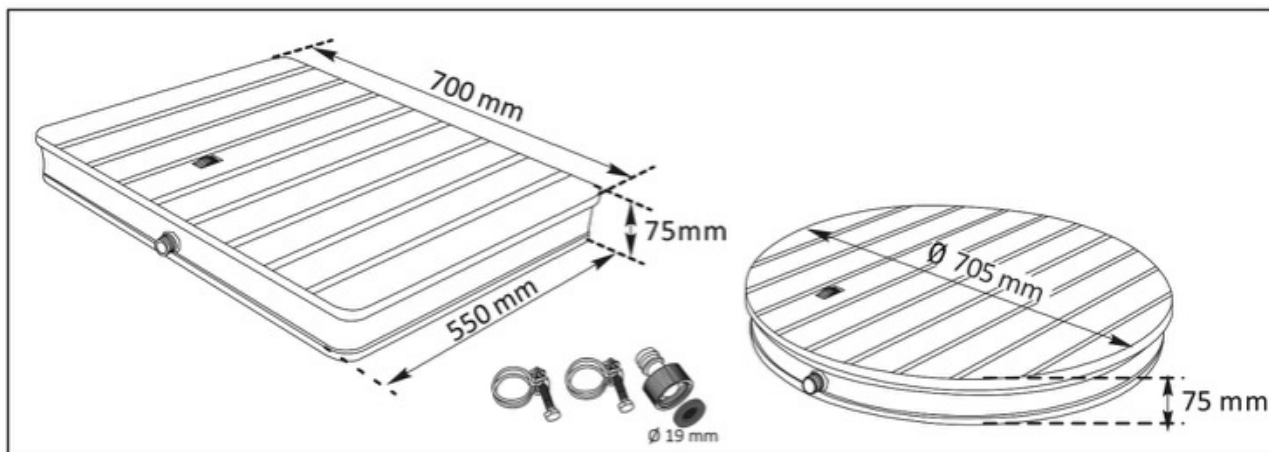


EN User manual

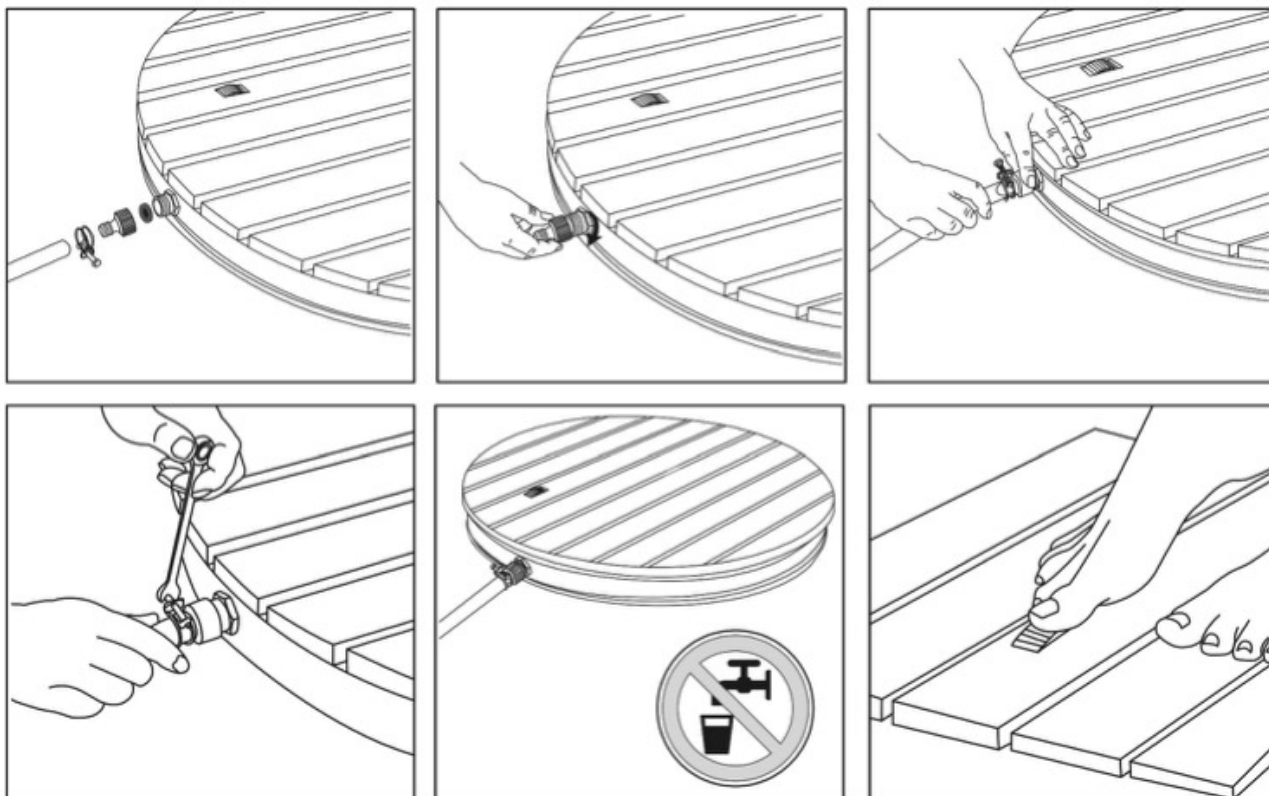
Important information: please read the following instructions carefully and follow them to prevent possible damages.



FLOOR SHOWER



Assembly instructions



1. place the floor shower and connect the garden hose with the adapter and the metal clamp.
2. use the supplied adapter and connect it to the inlet valve.
3. if necessary, fix the garden hose with the metal clamp.
4. use a wrench to tighten the metal clamp.
5. Floor shower can be flexibly installed in any desired place in your garden.
6. Thanks to the built-in foot wheel, you can not only turn the water jets on and off, but also regulate the height of the water fountain.

Care instructions

For regular cleaning of the floor shower we recommend a neutral cleaner and a soft brush or cleaning cloth. Cleaning detergents should be removed with sufficient clear water. It is recommended to clean with water and a brush to remove lubricants such as bio film, leaves, sand, stones or the like.