



EN Installation and User Manual

Important information: To prevent damage and improper use, please keep this installation and user manual readily accessible. Please read it carefully before installing or using the shower. Our information sheets and printed materials are provided for guidance based on our best knowledge. The content is provided without legal obligation. In all other respects, our General Terms and Conditions apply.

SOLAR SHOWER 35 L ALUMINIUM LED

Instruction

The garden solar shower is designed as a column-shaped body and its aluminium housing serves as a hot water tank and a solar collector. This shell is self-supporting. Inlet water armatures are located inside the column body. The product is equipped with a sensor LED light with a solar panel. At night, the sensor light automatically lights up when it detects that someone has come near the shower, and automatically goes out when they leave.

The control lever, shower rosette and tap for washing feet are located outside of the shower body. Column bottom part is furnished with installation base. There is an inlet armature on column rear side.

The equipment is intended for operation in private objects as gardens, swimming pool accessories or private tennis-court. It is intended for individual showering of persons. It is not intended for commercial or public use.

Safety instructions mentioned herein are marked with general danger symbols. These instructions must be followed, otherwise human health might be endangered. Safety mark is according to ČSN ISO 3864.



Content of the packaging and basic parameters

The shower contains a solar shower body with installed lever valve, valve for washing feet, shower head assembly with a LED light and a solar panel, hose inlet quick coupling and Instructions for Use.

Spezifikation:

Volume	35 l
Pipe material	Aluminium alloy
Maximum working pressure	3.5 bar
Battery voltage	3.7 V
Battery capacity	2 000 mAh
LED light nominal voltage and current	Voltage 3.7 V Current 700 mA
LED light sensing area	Approx. 2 meters
Product dimensions	2100 × 168 × 118 mm

Safety instructions



It is necessary to respect all safety instructions mentioned in this manual!

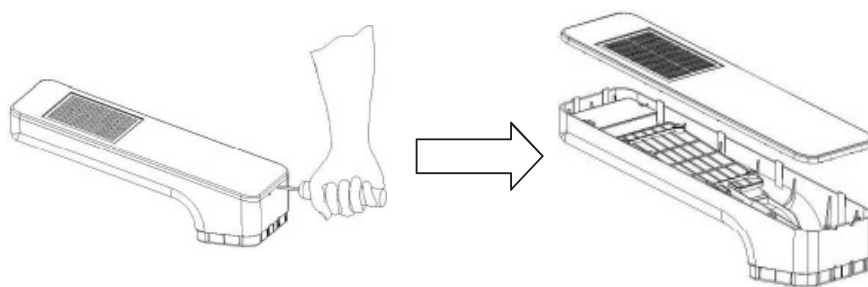
This operating manual includes basic instructions that must be respected during installation and operation of solar shower. Non-observance of safety instructions may result not only in endangering of human health but also in danger for environment and the equipment itself. Garden solar shower is intended only for personal showering. If it is used for other purposes or when it is modified without permission of the producer, any rights for reclamation become void. In such a case producer and seller waive any and all responsibility for incurred damages. Persons not familiarized with operation of solar shower within this manual are not allowed to use this equipment. Because of temperature inside shower body which may reach 60 - 70°C we recommend to turn the lever valve first to right and firstly open cold water. And after that mix with hot water to required water temperature by turning the lever valve to left. In this way you avoid undesirable showering with hot water! If the shower is not used for some time, also small amount of water can be heated in supply hose to valve. Due to safe use it is necessary to let out small amount of water (approx. 3 seconds). When exposed to direct sunlight, do not touch the body of the shower to avoid burns. The children can use the shower only when supervised by an adult.



Assembly instructions

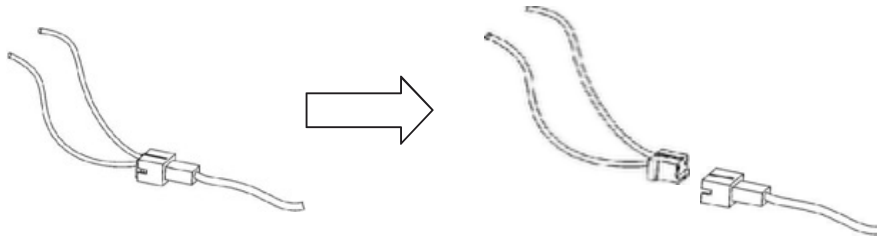
Place the solar shower at a place with sufficient sunlight and within reach of water supply. Install solar shower vertically onto a firm and horizontal base. Ideally using wall plugs onto a concrete foot, ceramic tile or eventually using long nails into the earth.

1. Remove the shower and accessories from the box.
Be careful not to scratch the plating of the pipe.
2. Prepare a flathead screwdriver, insert it in the square hole located in the back of the shower head and gently push it upwards to open the cover.

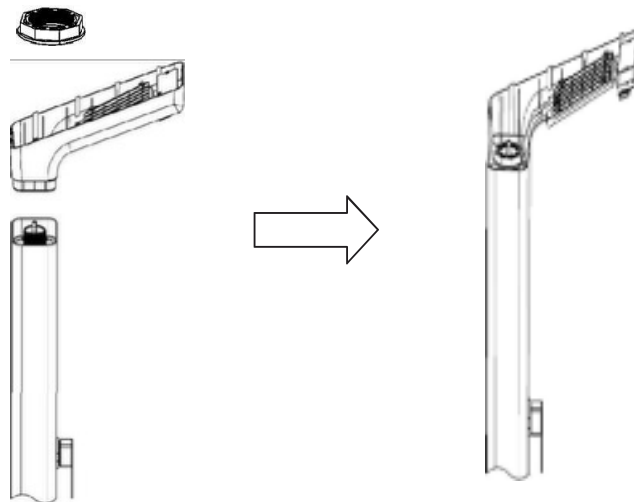


EN Installation and User Manual

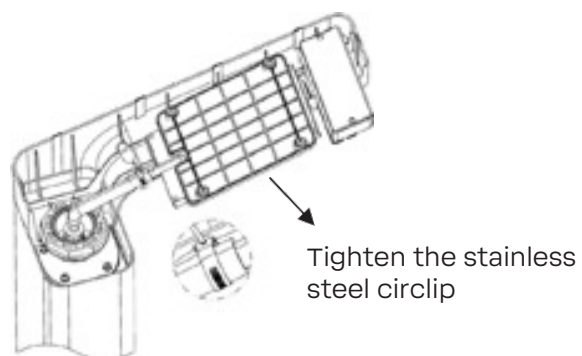
3. Pull out the 2-pin socket that connects the solar panel to the battery and reinstall the cover of the shower head.



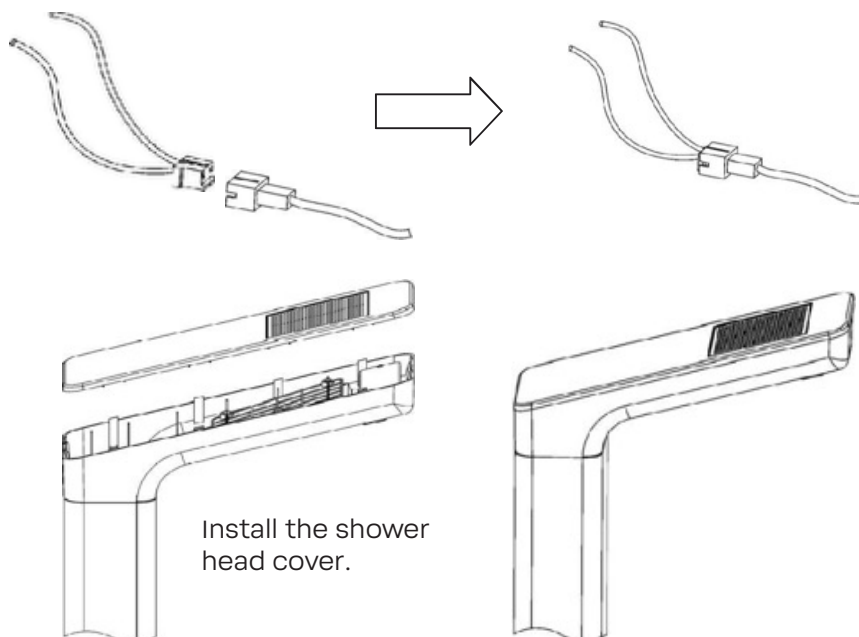
4. Install the shower head assembly on the shower body. Pay attention to the direction of the installation of the shower head relative to the water adjustment valve, put on the octagonal nut and tighten it.



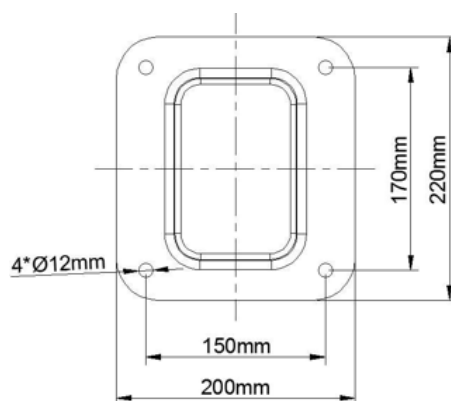
5. Install the water pipe, put on the circlip and tighten it with a screwdriver.



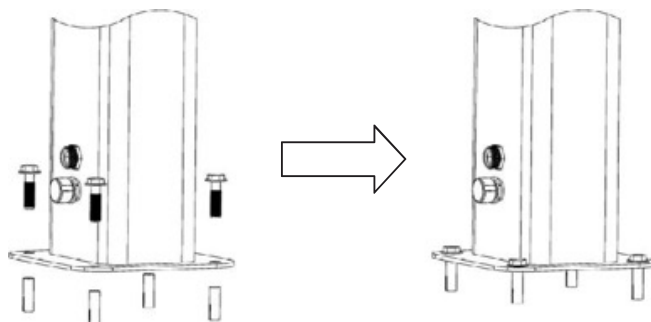
6. First insert the two connectors of the solar panel and the battery connector to the socket and then install the shower head cover.



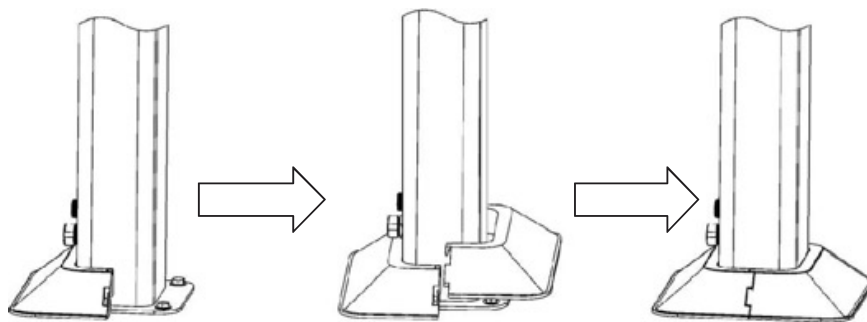
7. Drill holes into the concrete floor or other hard ground. The layout of the holes is shown in the drawing below. The diameter of the holes is 12 mm and the depth is 45 mm.



8. Insert the expansion nut into the drilled hole and secure the assembled shower to the ground using the anchor bolts.



9. Install the two-piece base.

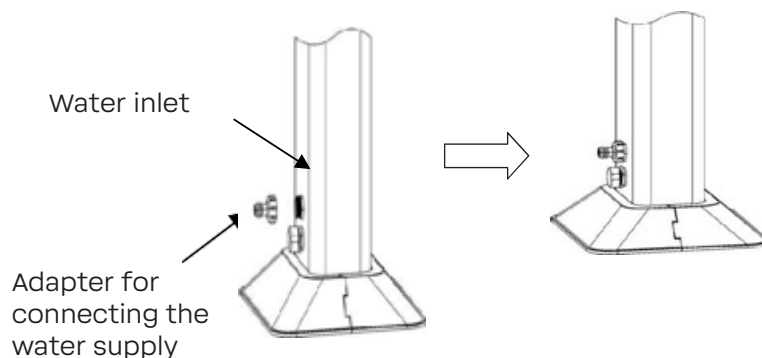


Secure the back cover to the shower base as shown in the figure.

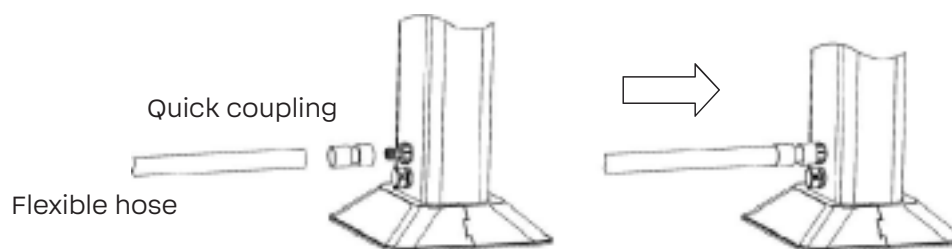
Align the latch bolt of the front base cover as shown in the figure.

Gently press down the front base cover and install it.

10. First remove the water inlet armatures from the kit, check the O-rings and gaskets and screw the water inlet armatures clockwise onto the threaded fittings of the water inlet and tighten.



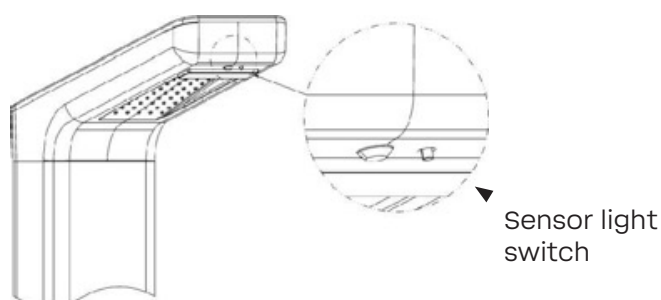
11. Prepare a hose with a closed water supply and connect it to the adapter for connecting the water supply.



12. Once the water supply has been connected to the shower body, open the water supply provided that the pressure in your water supply network does not exceed 3,5 bar. After connecting the solar shower to the water supply, fill the shower body tube fully with water and vent it at the same time - open the filling valve and at the same time open the control lever armature to the hot water position and keep it open, until a steady flow of water starts coming out of the shower rosette. Then push the control lever to the "Closed" position. The solar shower is ready for use. To connect the solar shower armature to a water supply network or a domestic water system, use only standardized, approved and undamaged plumbing assembly elements. Finally, check the tightness of the armature connections.
13. Before using the shower for the first time, press the button of the sensor light switch. The button is then pushed down into the bottom side of the shower head and the sensor light function is activated. If you need to deactivate the sensor light function, press the button again and the button is released and reset.

The sensor light activates under the following conditions:

1. It is dark outside, e.g. at dusk or at night.
2. There is someone moving within the sensing area (the person cannot stand still).
The sensor light is infra-red, the sensing area is approximately 2 meters.
After the person leaves the sensing area, the sensor light automatically goes off after approximately 40 seconds.



Troubleshooting

Problem	Mögliche Ursachen und Lösungen
There is no water coming out of the shower head.	<ul style="list-style-type: none"> ▪ Adjust the valve. ▪ Check whether the water inlet hose is properly connected and whether it is not clogged. ▪ Check whether the nozzles of the shower head are not clogged, if so, clean them. ▪ Check the water flow and make sure that all connections are correctly connected. ▪ Check whether the connection joints are not leaking.
The control valve is in the hot water position, but the water is not hot.	<ul style="list-style-type: none"> ▪ Check whether the control valve is in the hot water position. ▪ Check whether the tube is completely filled with water. ▪ Check whether it has not been raining or cloudy for a longer period of time, if so, the shower may not have absorbed enough sunlight.
The connection joints are leaking.	<ul style="list-style-type: none"> ▪ Make sure that all connections are correctly connected and tighten them if necessary.
The sensor light is not working.	<ul style="list-style-type: none"> ▪ Check whether it is dark outside. Check that someone is moving within the sensing area. ▪ Check whether the sensor light switch is on. ▪ Check whether it has not been raining or cloudy for a longer period of time, if so, the battery may have not absorbed enough sunlight and it is flat.

Maintenance, winterising

The garden solar shower requires no special maintenance.

Keep the solar shower clean.

At the end of the season, completely disconnect the solar shower from the water supply and drain all water from the body thoroughly. To drain the shower, it must be removed from the solid surface and the shower side must be drained by unscrewing the plug on the side, with the lever mixer in the open position between the hot and cold positions. After draining, there will be a residual minimum amount of water in the shower due to its construction. This residual water no longer causes damage to the shower. During storage, ensure that the lever tap, shower rosette remains dry - wrap the lever tap and shower rosette tightly to prevent moisture ingress.

Out of season in a dry, store the product in a frost-free place.